

# Anaesthetic Circuit

## Bain/Coaxial Circuit with Y Connector

### DESCRIPTION

m|devices Anaesthetic Circuits are available in a range of different configurations to meet clinical practical needs. The collapsible corrugated circuits come with a rotating Y Connector come with a 2L bag.

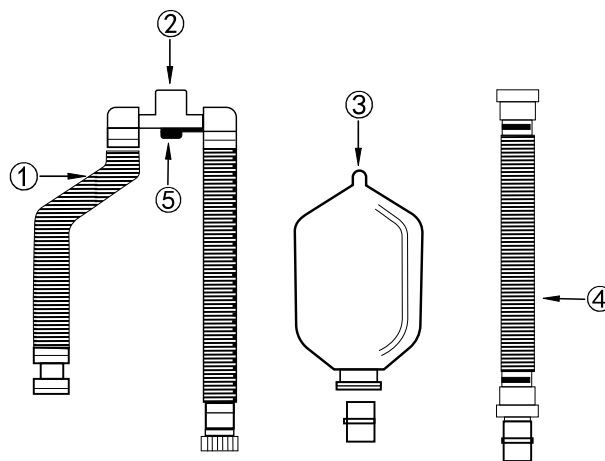
### FEATURES & BENEFITS

- Tube length for paediatric circuit: 1.8m
- 2L bag
- Rotatable Y Connector

### PRODUCT DATA

- Not made with DEHP
- Material: PE, EVA
- Shelf Life: 5 Years
- ARTG Number: 269092

### PRODUCT DIAGRAM



ITEM	DESCRIPTION
1	Corrugated Duel Limb Hoses 2.4m
2	Rotatable Connector
3	Reservoir Bag 2L
4	Limb
5	Luer Port with cap

### Anaesthetic Circuit

RE-ORDER	DESCRIPTION	SIZE	CARTON/QTY
AN150006NS	Anaesthetic Circuit Standard Corrugated Rotatable Y Connector	1.8m	20